



GRABO



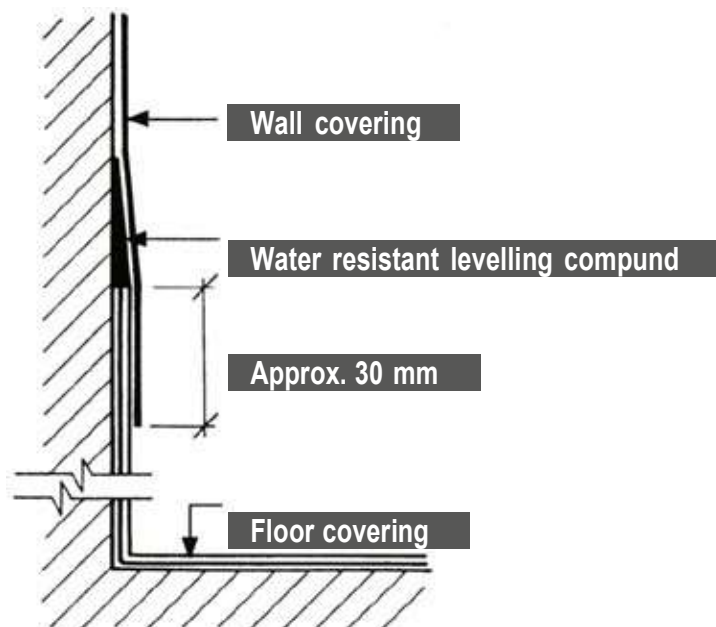
GRABO  
**MURAVYL**

Installation instructions

Grabo vinyl wallcovering /MURAVYL

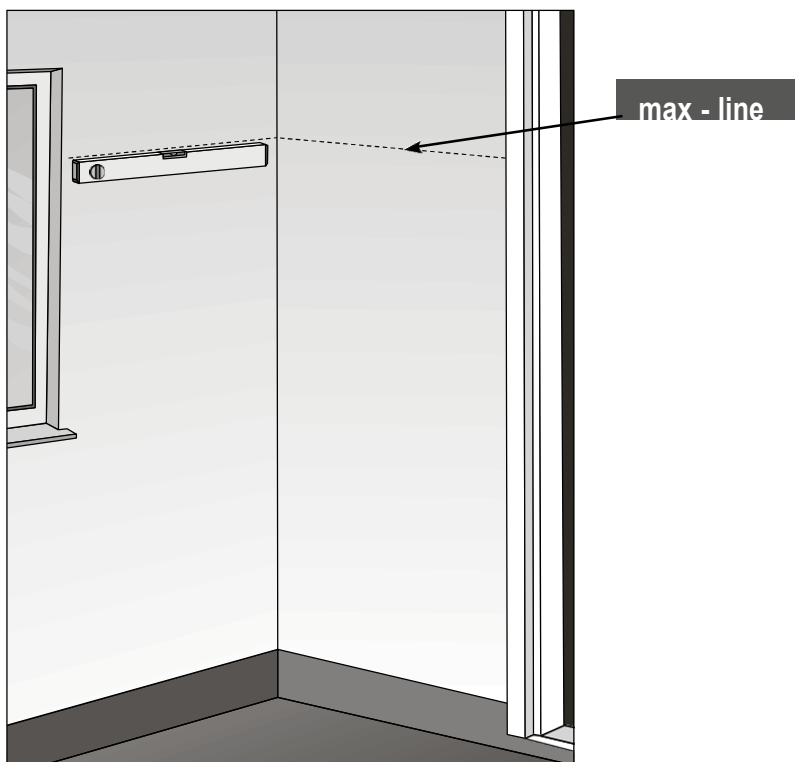
## GENERAL

- Application can be done to smooth, dry, clean, sound walls of concrete, plaster, hardboard, plywood and fibreboard. Board material must be firmly fixed to avoid moving or warping, as only one side is covered. Boards and similar substrates should have a moisture content of 8%(equivalent to 40% RH at 20 ° C).
- Concrete and plaster must have a relative humidity level of less than 75% and max. 2 CM%.
- The wall surface must be strongly enough bonded to take the weight of the material. A concrete or cement wall must normally be levelled of using a water-resistant filler/levelling compound to achieve a smooth and sound surface suitable for gluing.
- Do not install on walls painted with oil paints or walls with different shading. Surface must be even colored.
- Use only adhesive recommended for PVC wall coverings by the adhesive manufacturer. See the adhesive manufacturer's instruction regarding covering, open time etc. The adhesive must be tacky enough to secure the position after assembling and at the same time wet enough to secure the over-wetting and bonding of adhesive to the backing of the material. Recommended glue types: UZINKE2000S or Mapei Ultrabond ECO V4 Evolution.
- The room temperature shall not be less than 18 ° C for 48 hours before, during and after the installation. Wall material and adhesive shall also be conditioned at the same temperature and duration. The rolls should be stored indoors and upright.
- Seams are welded with welding thread available in matching colours. For best result, Use Janser High Speed Hot Welding Nozzle.
- Before installation start, prepare covings with water-resistant levelling compound as shown in the picture or use a prefabricated diminishing profile.



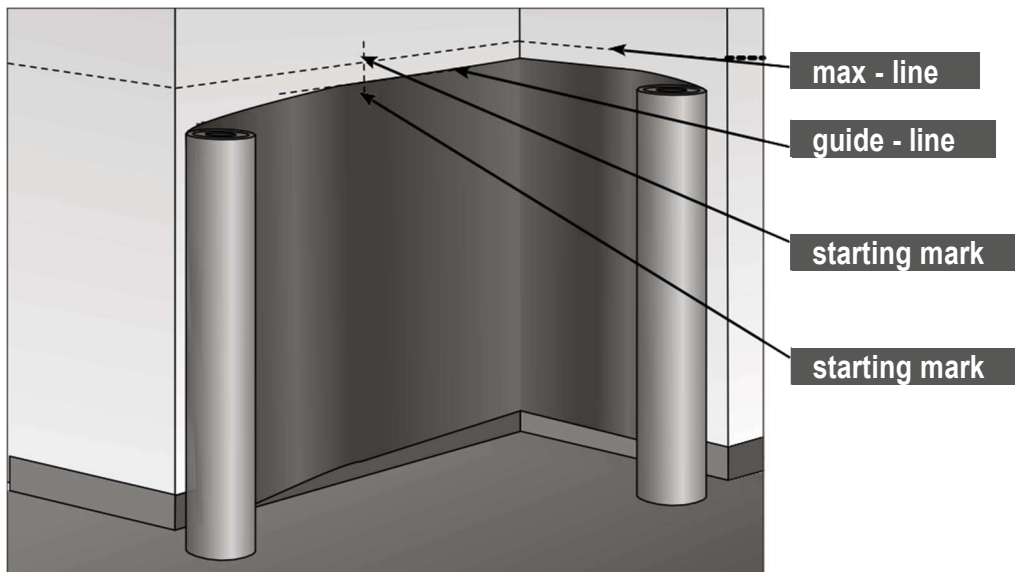
## HORIZONTAL INSTALLATION

- Check for any rake on walls and corners. Draw a horizontal line (max-line) 207 cm above the finished floor level!. This is the maximum height to allow an overlap of 3 cm on the flooring.
- Note: Only use a lead-pencil for marks and lines.
- Measure the circumference of the room and make a mark half way along the max-line or at another suitable starting point (depending on pipes, outside corners, etc).
- Cut the sheet and roll it with the back facing outwards and make a corresponding starting mark on the back of the sheet.
- Roll up the rest of the cut sheet (poss. on tubing) up to the mark so that two joining “rolls” are obtained.
- Draw a new horizontal line, approximately 1 m long (the starting point guide-line) where the wall covering is to be initially applied at a height of 200 - 207 cm, depending on the rake of the corners, etc.
- Note: Corners that rake outwards will create a shortage of material at the bottom after the turn.



# GRABO MURAVYL

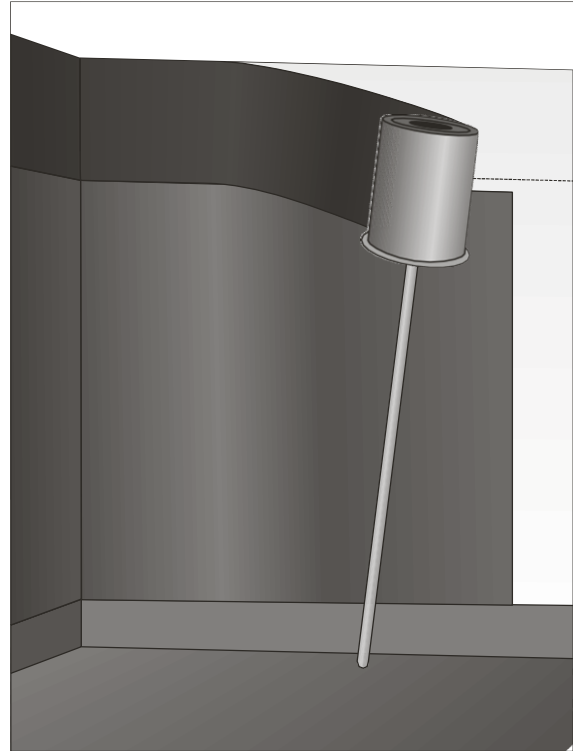
- Apply adhesive in accordance with manufacturer's instructions. Use a 'lambs hair' roller. If you prefer to apply the adhesive with a fine-notched trowel, we recommend that you even out the adhesive over the surface with a roller-otherwise there is a risk that the trowel pattern in the adhesive will later show through the wall covering.
- Apply adhesive to the surface of the wall up to the first max-line. The wall covering should be applied during the wet tack stage. The assembly time depends on the type of substrate, its absorbency, the temperature and air humidity in the premises. See the adhesive manufacturer's instruction regarding coverage, open time etc. If you are unsure, you should not cover large areas with adhesive.
- Position the rolls so that the markings on the rolls and the markings on the walls are aligned. Apply the rolls one at a time.
- Trim the wall covering's overlap to the floor covering before the adhesive has dried. max-line guide-line starting mark starting mark.



- Make a mark on the wall covering which indicates where the bottom of the border finishes. Always proceed from the max-line. Allow a 3cm overlap.
- Fill along the top edge of the wall covering with a water-resistant levelling compound or use a prefabricated diminishing profile.
- Measure the border and cut it to the right length (and width if applicable). Roll it onto a suitable length of plastic tubing.

# GRABO MURAVYL

- Apply adhesive to the area where the border is to be located. Be very careful to ensure that the adhesive goes all the way down to the markings at the overlap.
- The border is applied following the markings. Preferably begin in a corner in the dry area. Check regularly for excess wetting between the border and the wall covering. Continue the border at least 2 cm on the other wall and finish there. Alternatively the border can be joined over the door.
- Be extra careful when washing off residues of adhesive at the border's overlap. Use clean water and a detergent suitable for removing adhesive.



#### Alternative 1:

- At window-recesses apply loose pieces first in the top and bottom recesses then fill the edges. The wall covering is rolled out over the window area and is then folded into the reveal. The overlap to the bottom recess should be sealed.

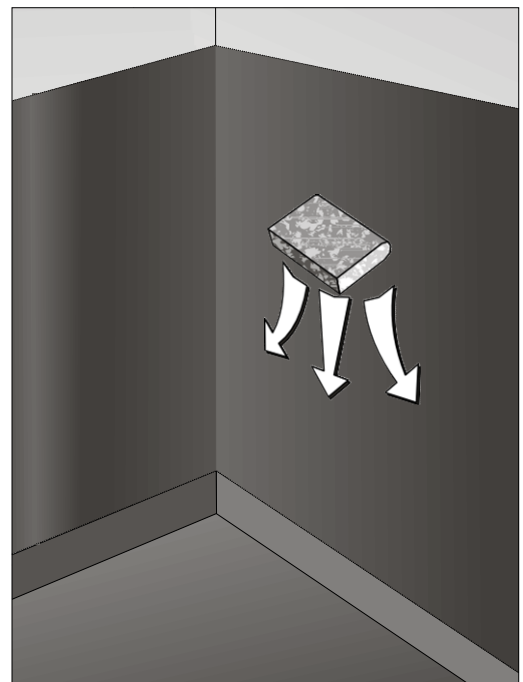
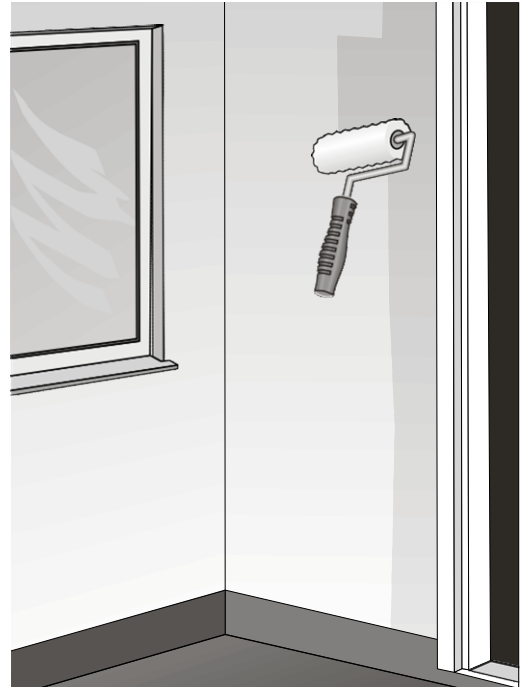
#### Alternative 2:

- At window-recesses the wall covering is rolled out over the window area and is then folded into the reveals. Loose pieces are inserted at the bottom recess, and at the top recess where necessary. The loose pieces are joined to the wall covering with welded seams.

• **For best result , extra heating and pressing is necessary to secure a good bonding at overlapping areas.**

## VERTICAL INSTALLATION

- Start installation at doorframe of an unobstructed wall or use a carpenter's level or plumb line on the wall to mark vertical starting lines for each sheet. Adjust plumb lines to install edge-to-edge (without overlap) with seams opened maximum 0,5 mm. Only use a lead-pencil for marks and lines.
- Pre-cut sheets slightly longer than the height of the wall and allow lay flat and stabilizing. Trim salvage edge if necessary on side that will be aligned with plumb line.
- Back roll the wall material (face in) in the long direction. For each additional sheet of unobstructed wall, apply adhesive as before and unroll sheet into adhesive with seams opened maximum 0,5 mm. Reverse alternate sheets when possible.
- Note: Material width is approximately 200 cm. Plan the installation so that seams are a minimum of 200 mm away from inside and outside corners.
- Apply adhesive on the wall area where the first sheet will be installed and a few inches past the seam edge. Apply adhesive in accordance with manufacturer's instructions. Use a 'lamb's hair' roller. If you prefer to apply the adhesive with a fine-notched trowel, we recommend that you even out the adhesive over the surface with a roller-otherwise there is a risk that the trowel pattern in the adhesive will later show through the wall covering.
- Back roll the wall material (face in) in the long direction. Place edge of wall material on plumb line and unroll into adhesive. Roll out the sheet little by little into the adhesive.
- Press the sheet firmly using a piece of board with rounded edge or equivalent tool. Work from top down and from the middle to the sides of the sheet. **IMPORTANT:** Make sure you remove all trapped air.

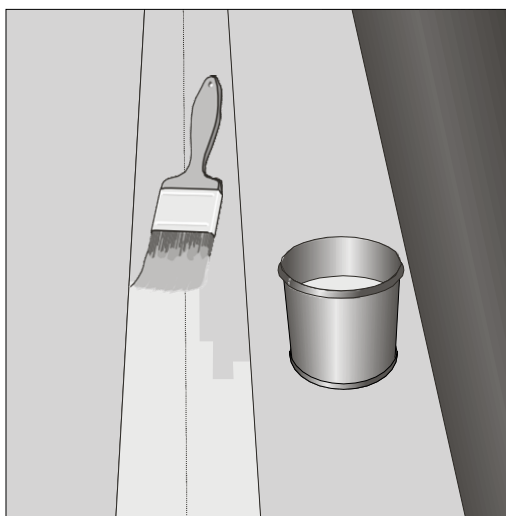
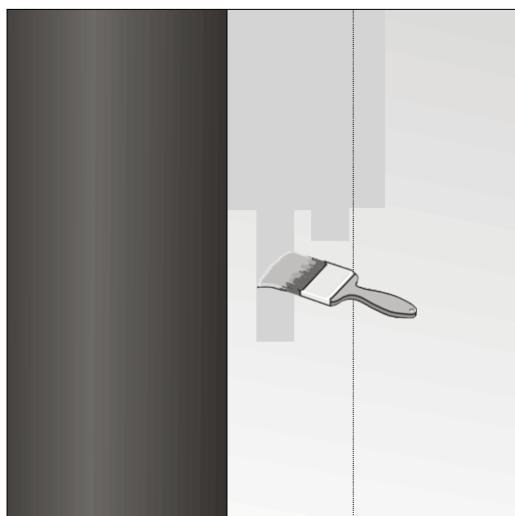


## INSIDE CORNERS

- Measure the distance from the last installed sheet to and around the corner of adjacent wall equal to the width of the material. Mark a vertical line at this distance.
- Mark a vertical line at this distance. Apply adhesive on the wall and unroll wall material in same manner, starting at the plumb line and working towards the corner.
- Continue with following alternatives:
  1. Heat material and make sure that the material has good contact with the adhesive by pressing it firmly into the adhesive towards the corner, fold the sheet material in a sharp angle, surface to surface, approx. 1,3mm from the corner, using a pressure tool to create a permanent folding. Make sure that the fold part or the pressure tool not gets in contact with adhesive on next wall. Finally press the folded sheet into the corner.
  2. The sheet could also be pre-folded before application into adhesive, by measuring the distance to corner from vertical line or last installed sheet. Then unroll the remainder around the adjacent towards the seam area.

## OUTSIDE CORNERS

- Apply adhesive to the wall and back of wall material with a brush corresponding to 150mm on each side of the corner and allow drying within the actual adhesives open time. For this purpose a water based contact adhesive can be used.
- Apply adhesive to remaining area of wall and position sheet. Heat and stretch slightly the wall material around the corner at the same time as it is pressed firmly into the adhesive.



## Welding

- DO NOT HEAT WELD SEAMS UNTIL THE FOLLOWING DAY.
- Before attempting to heat weld seams, practice on a scrap piece of wall material to determine proper technique and temperature settings.
- All welding is performed with 4 mm GraboWeld welding thread. For best control of the welding result and tightness is it recommended to use welding rod in light /white color.

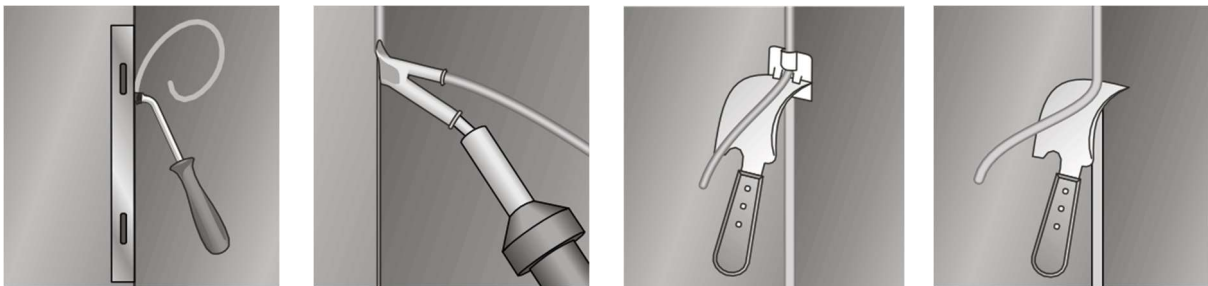
## SEAMS

### Cutting seams

- All seams are cut using an underscriber. Set underscriber to produce a 0,5 mm gap (maximum). Cut off excess material at scribe mark and roll with seam roller. Seams shall be cut immediately after positioning the wall covering.
- Note: Material width is approximately 200 cm. Plan the installation so that seams are a minimum of 200mm away from inside and outside corners.

## Grooving and heat Welding

- All seams are grooved using Janser Seam grooving Tool. Remember to maintain a constant angle between the welding nozzle and the wall to preheat the joint properly.
- Do not heat weld until the adhesive is completely dry, normally one day after installation.
- Start welding seams at the ceiling. Use Janser High Speed Hot Welding Nozzle to avoid undesirable changes in texture. (High speed hot air nozzle - 224 700 300, High speed nozzle 224 400 300)
- Welded seams must be allowed to cool to room temperature before they are trimmed. For best results, trim excess welding rod in two stages.





## INSPECTION

- The work must be completed with an inspection. Ensure that the newly laid flooring is free from adhesive residues and that the bond is consistent with no bubbles.

## FOR THE BEST RESULTS:

- Make sure all specifications and instructions are followed carefully.
- Use only adhesives recommended by adhesive manufacturer.
- Contact your Graboplast representative if unsure about any part of the installation.

## AFTER INSTALLATION IMPORTANT!

- Wait 48 to 72 hours after installation before carrying out any work on the wall covering.

## PROTECTING THE WALL COVERING

- If further building work is necessary once the wall has being installed, a protective film should be used to prevent damage. Never stick masking or other adhesive tape directly on to Muravyl.

## POST INSTALLATION CLEANING

To clean the wall covering after installation:

- Remove residual adhesive with methylated spirits and a clean cloth.
- Sweep or damp mop the area to remove loose dirt and building dust.

## MAINTENANCE DAILY MAINTENANCE

- Clean with a damp cloth or sponge using a neutral detergent (pH 6/8) as recommended by the manufacturer.

## PERIODIC MAINTENANCE

- Wet brush (soft bristle brush) with diluted alkaline detergent (pH 8/10). Always follow the detergent manufacturer's instructions.
- Disinfectants, degreasing and/or descaling agents may sometimes be required.

## JANSER tools for MURAVYL installation

A4 Trowel 262332000  
Leister Triac S hot air welding gun 224819000  
Ultraspees welding nozzle for wallcoverings 224700300  
Ultraspeed welding nozzle with rounded nozzle 224800013  
Swan neck nozzle 224810040., 224810060  
Wire cleaning brush 224400011  
Hot air shaper 262605000, 262606000  
Pressure roller 60mm 224400600  
Pressure roller for inner edges 224400123  
Pressure roller for outer edges 262614000  
Seam Plane 262626000  
Quarter moon knife 262621000  
Delphin knife 262010200  
Measuring tape  
Steel ruler  
Graphite pencil  
Cork rubbing hand tool 262380000

The tools can be found on the Janser website: [www.janser.com](http://www.janser.com)



**Graboplast Floor Covering Manufacturers Ltd.**

H-9023 Győr, Fehérvári út 16/b.

E-mail: [info@graboplast.hu](mailto:info@graboplast.hu)

[www.graboplast.com](http://www.graboplast.com)

[www.facebook.com/graboplast](https://www.facebook.com/graboplast)

