

Uzin Utz South Pacific Ltd.

Installation Guidline

Static Disappative floors require the installation of a copper earth grid prior to the installation of the floor-coverings.

Requirements:

UZIN KE2000SL adhesive. Part code – 14162

Self Adhesive Copper foil Tape. Part code – 10141

All substrate preparation and repair compounds are to be cured and ready to accept the installation of all subsequent floorcoverings.

- Install Uzin Self adhesive copper foil conductive tape to the clean and dry substrate as per suggested layup following:

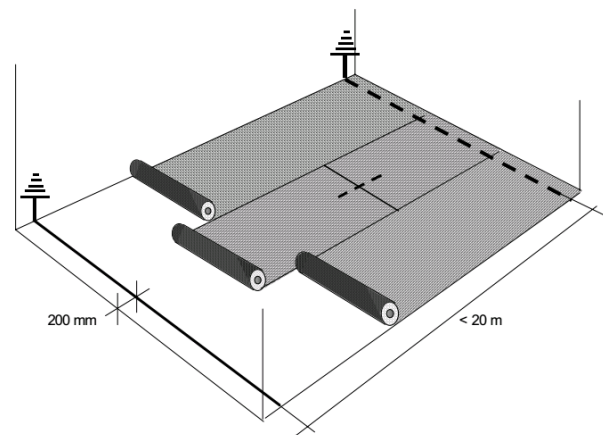
Earth connection sheets

Sheets < 10 metres:
Only use the copper strip at one of the short ends.

Sheets 10 - 20 metres:
A copper strip is placed crossways under the sheets, approx. 200 mm from the short ends. A 100 cm copper strip is placed lengthways under transversal joints.

Sheets > 20 metres:
Apply copper strips crossways at short ends and at every 20 meter. A 100 cm copper strip is placed lengthways under transversal joints.

General recommendation for earth connection sheets: The distance from any randomly chosen point on the installed floor to a copper strip must not exceed 10 metres.



- Trowel apply UZIN KE2000SL adhesive to the prepared substrate with a notched trowel (Crain #420) at a spread-rate of 4.0sqm per kg.

Tony King

National Sales Manager and Technical Support

UZIN Utz South Pacific Ltd

Email tony@ufloor-systems.net

Phone - +64 225933782

