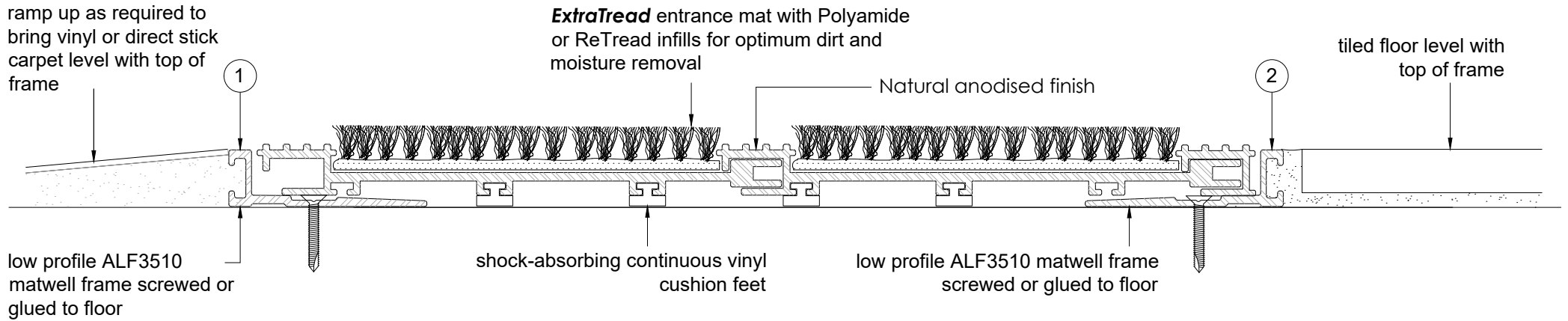
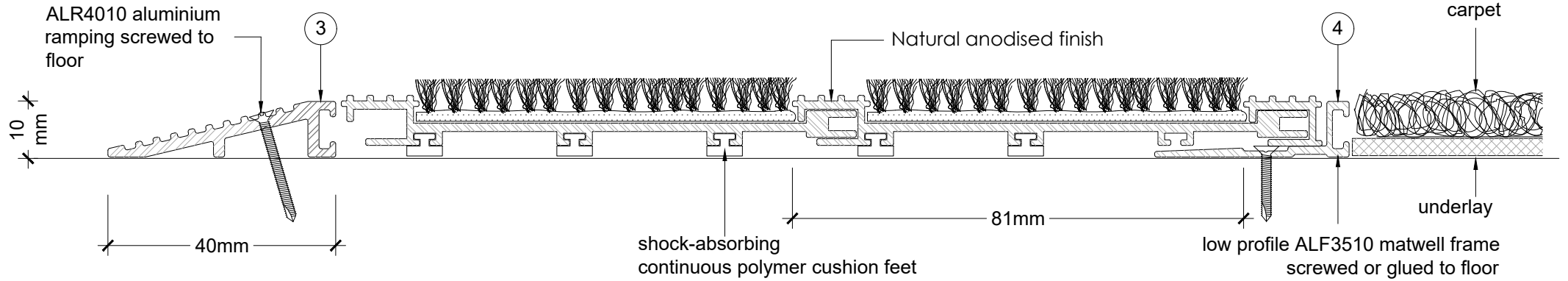


RECESS FRAME SECTION



RECESS RAMP AND FRAME SECTION



Specification:

Entrance matting shall be Advance 'ExtraTread' with Polyamide or ReTread infills. Colour to be _____
 Code _____. Install into proprietary matwell frame as per detail No _____ above.
 Installation must be on a smooth level base to ensure optimum mat life and performance