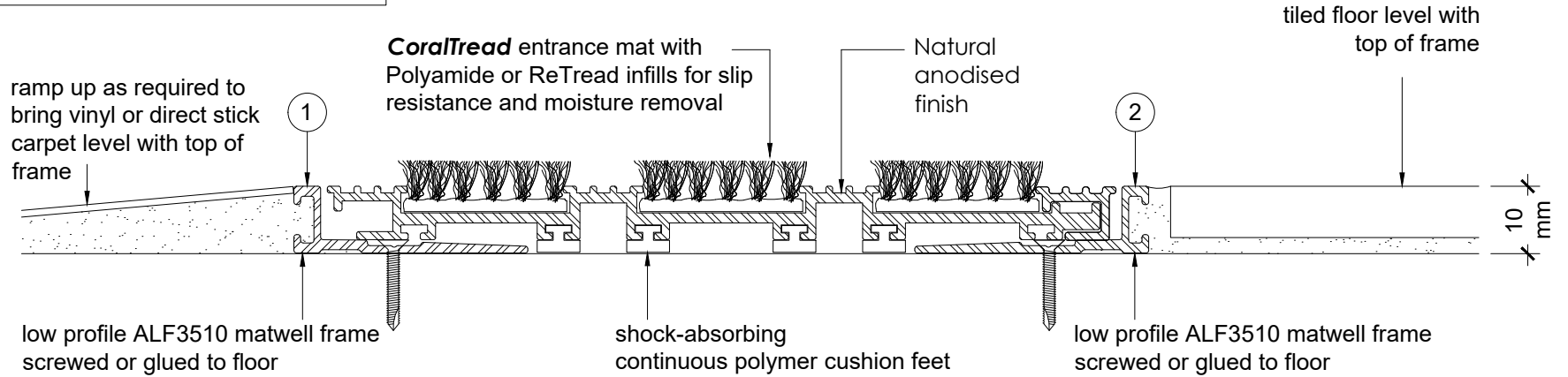
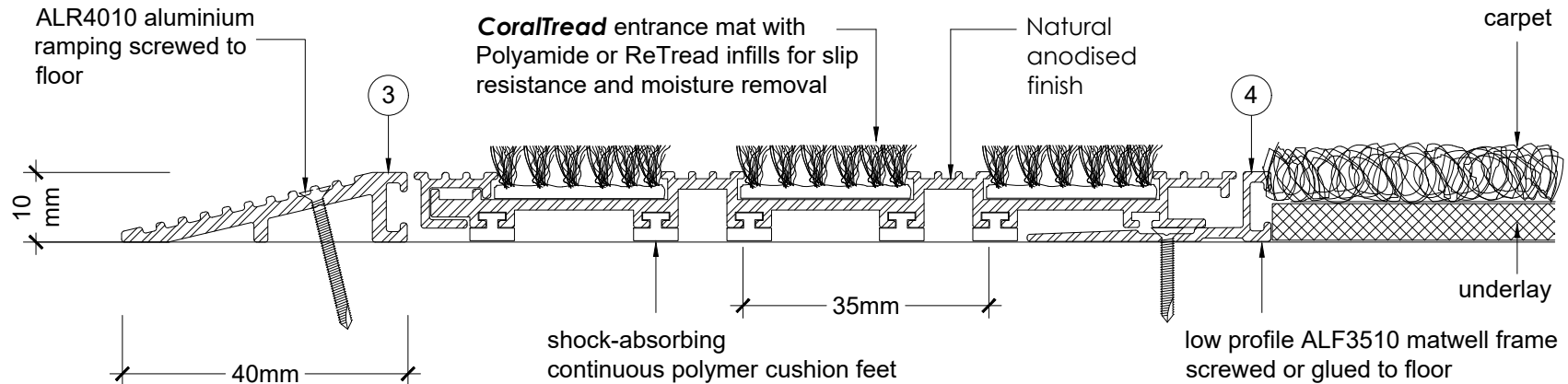


RECESS FRAME SECTION



RECESS RAMP AND FRAME SECTION



Specification:

Entrance matting shall be Advance CoralTread with Polyamide or ReTread infills.
 Colour to be _____ Code _____
 Install into proprietary matwell frame as per detail No _____ above.
 Installation must be on a smooth level base to ensure optimum mat life and performance